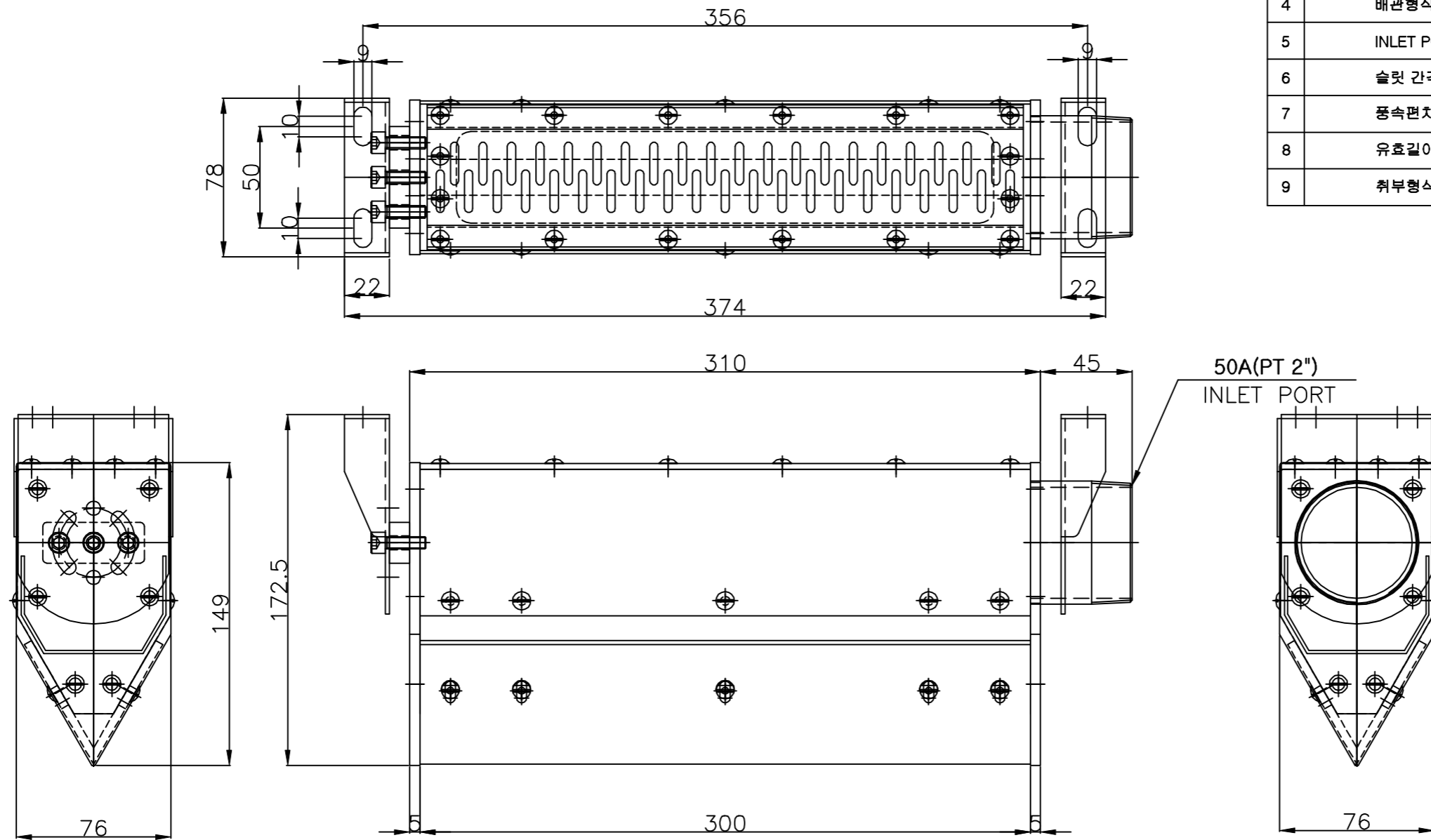


REVISIONS		
NO.	BY	DESCRIPTION
△		
△		

기본사항		
1	MODEL	ZBS50-300L-1-S1
2	재질	STS304
3	후처리	POLISHING
4	배관형식	50A HOSE or STEEL PIPING
5	INLET PORT	50A SIDE 1PORT
6	슬릿 간격	1mm
7	풍속편차	±3% 이내
8	유효길이	300mm
9	취부형식	BRACKET 제공(각도 조절 TYPE)



제작 유효길이: (MIN)100mm~(MAX)2700mm 까지 제작가능함.

**NOTE**

- 날카로운 모서리 제거할것.
- BOLT HOLE간 거리 허용공차 ±0.2 이내일것.

COMMERCIAL TOLERANCE(mm)		COMPARISON OF SURFACE ROUGHNESS	
MACHINING	CANNING	RANGE OF SURFACE ROUGHNESS(μ)	
DIMENSION	TOL	DIMENSION	TOL
1~4	±0.1	less than 250	±1.5
4~16	±0.2	250~500	±2.0
16~63	±0.3	500~1000	±3.0
63~250	±0.5	1000~2000	±4.5
250~1000	±0.8	2000~4000	±6.0
1000~2000	±1.0	4000~8000	±8.0
2000~5000	±1.5		

NO	DESCRIPTION	SPECIFICATION	Q'TY	MATER'L	WEIGHT	REMARKS
DATE	2021.04	WEIGHT	SCALE	CUSTOMER		
		Kg	1 / 1			
DRAWN BY	DESIGNED BY	CHECKED BY	APPROVED BY	TITLE		
				ZBS50-300L-1-S1		
				AIR KNIFE ASS'Y		
				DRAWING NO.	REV	
				MBA-50A-000	△	

Moobico.,Ltd.