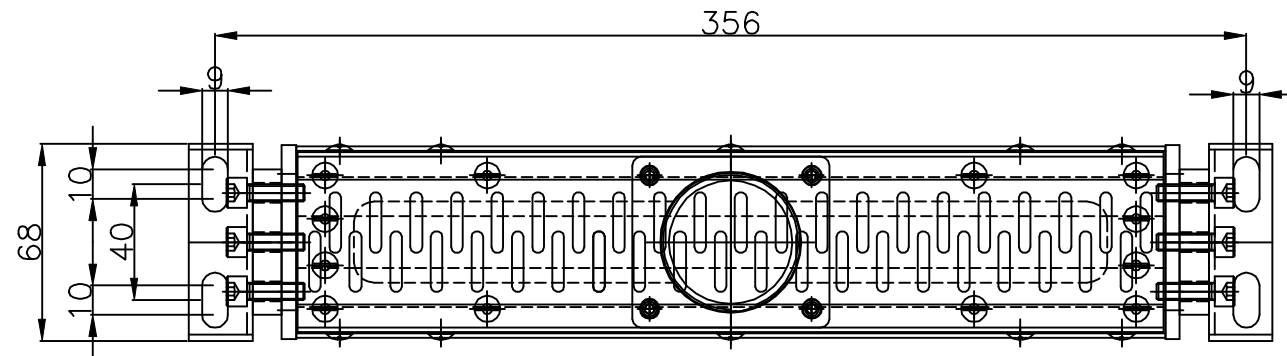
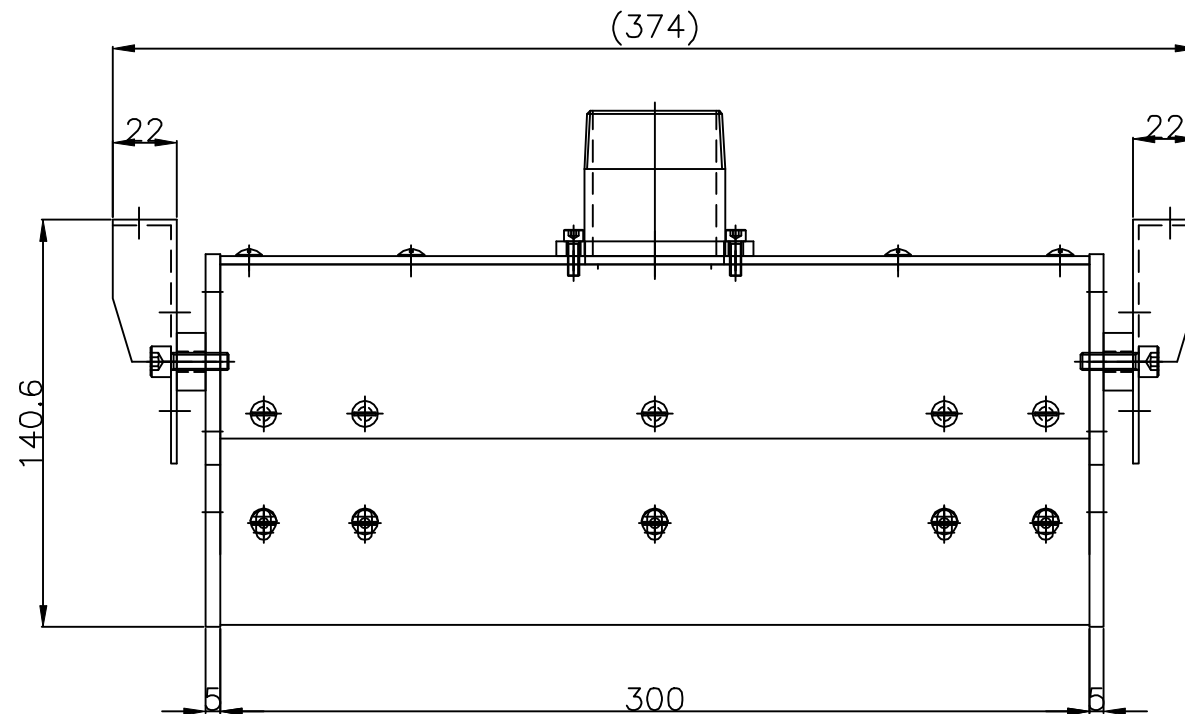
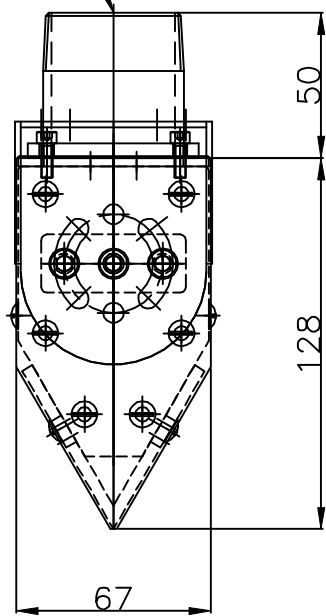


REVISIONS		
NO.	BY	DESCRIPTION
△		
△		

기본사양		
1	MODEL	ZBS40-300L-1-U1
2	재질	STS304
3	후처리	POLISHING
4	배관형식	40A HOSE or STEEL PIPING
5	INLET PORT	40A UPPER 1PORT
6	슬릿 간격	1mm
7	풍속편차	±3% 이내
8	유효길이	300mm
9	취부형식	BRACKET 제공(각도 조절 TYPE)



40A(PT 1.1/2")
INLET PORT



제작 유효길이: (MIN)100mm~(MAX)2700mm 까지 제작가능함.

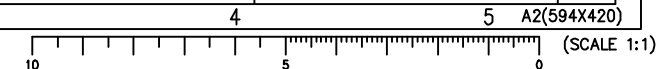
NOTE

- 날카로운 모서리 제거할것.
- BOLT HOLE간 거리 허용공차 ±0.2 이내일것.

COMMERCIAL TOLERANCE(mm)		COMPARISON OF SURFACE ROUGHNESS	
MACHINING	CANNING	RANGE OF SURFACE ROUGHNESS(μ)	
DIMENSION	TOL	DIMENSION	TOL
1~4	±0.1	100-S	25-S
4~16	±0.2	25-S	6.3-S
16~63	±0.3	6.3-S	3.2-S
63~250	±0.5	3.2-S	1.6-S
250~1000	±0.8	1.6-S	0.8-S
1000~2000	±1.0	0.8-S	0.4-S
2000~5000	±1.5	0.4-S	0.2-S

NO	DESCRIPTION	SPECIFICATION	Q'TY	MATER'L	WEIGHT	REMARKS
DATE	2021.04	WEIGHT	SCALE	CUSTOMER		
		Kg	1 / 1			
DRAWN BY	DESIGNED BY	CHECKED BY	APPROVED BY	TITLE		
				ZBS40-300L-1-U1		
				AIR KNIFE ASS'Y		
				DRAWING NO.	REV	
				MBA-40A-000	△	

Moobico.,Ltd.



A2(594X420)